

# **Metadata Architecture and Practice for the Digital Library**

**Arthur Chen**  
**Computing Centre**  
**Academia Sinica**

*1 April, 2000*

# What is metadata?

- **Data about data.**
- **What is the difference between metadata and bibliographic information ?**
- **Both static & dynamic, and interactive.**

# Metadata and DLM

- **Metadata is a fundamental basis for DLM.**
- **The scope of metadata is not only the bibliographic description, but also can be extended into analysis, annotation, indexing, retrieval, representation, exchange and rights management.**

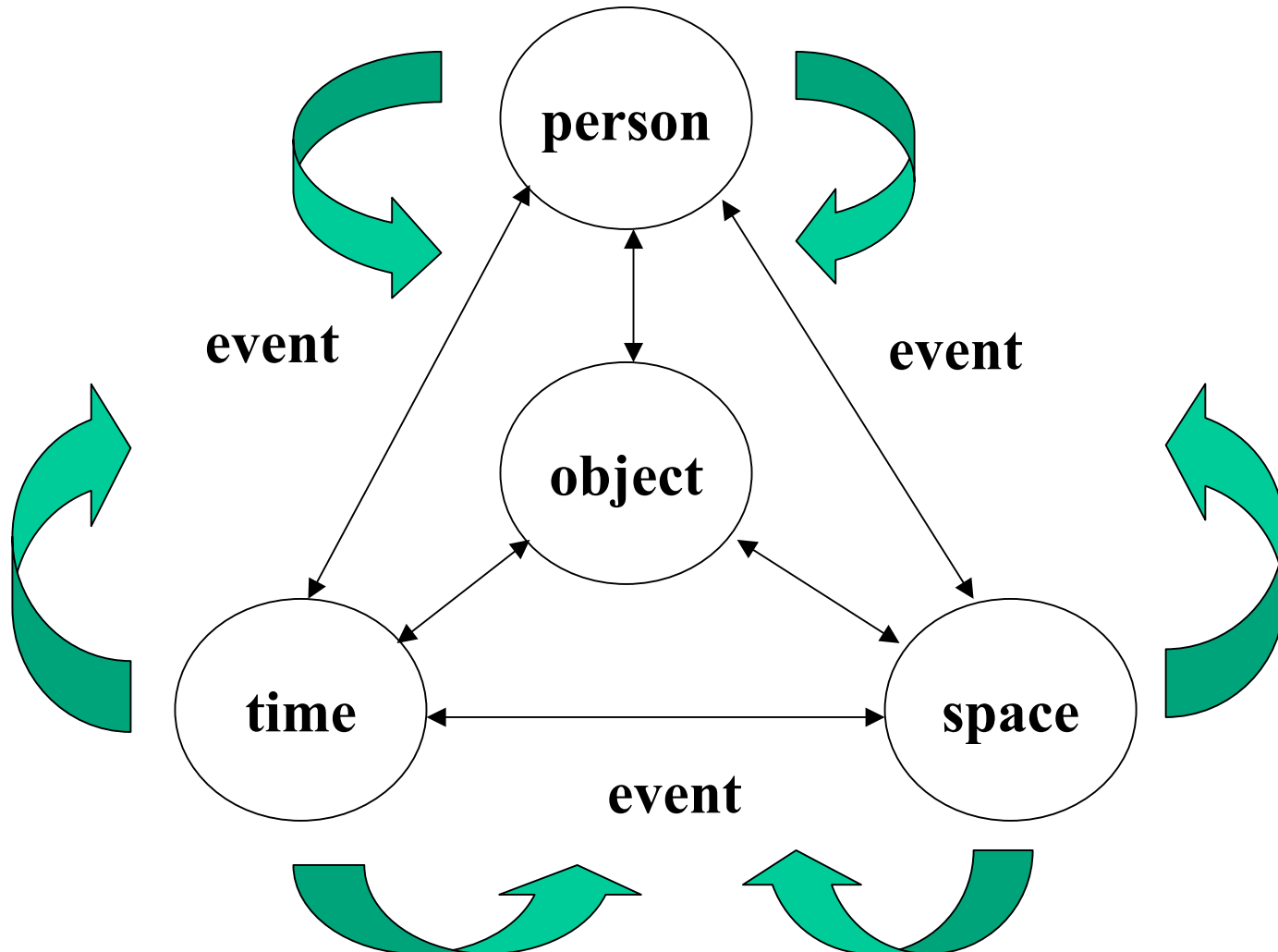
# **Analysis and Implementation**

- **Identifying the requirements both of data and user.**
- **Analyzing the sample data.**
- **Developing the workflow, standard and practice/case experiment.**
- **Selecting one right metadata format for practical approach.**
- **Revision after discussed with the related staff.**

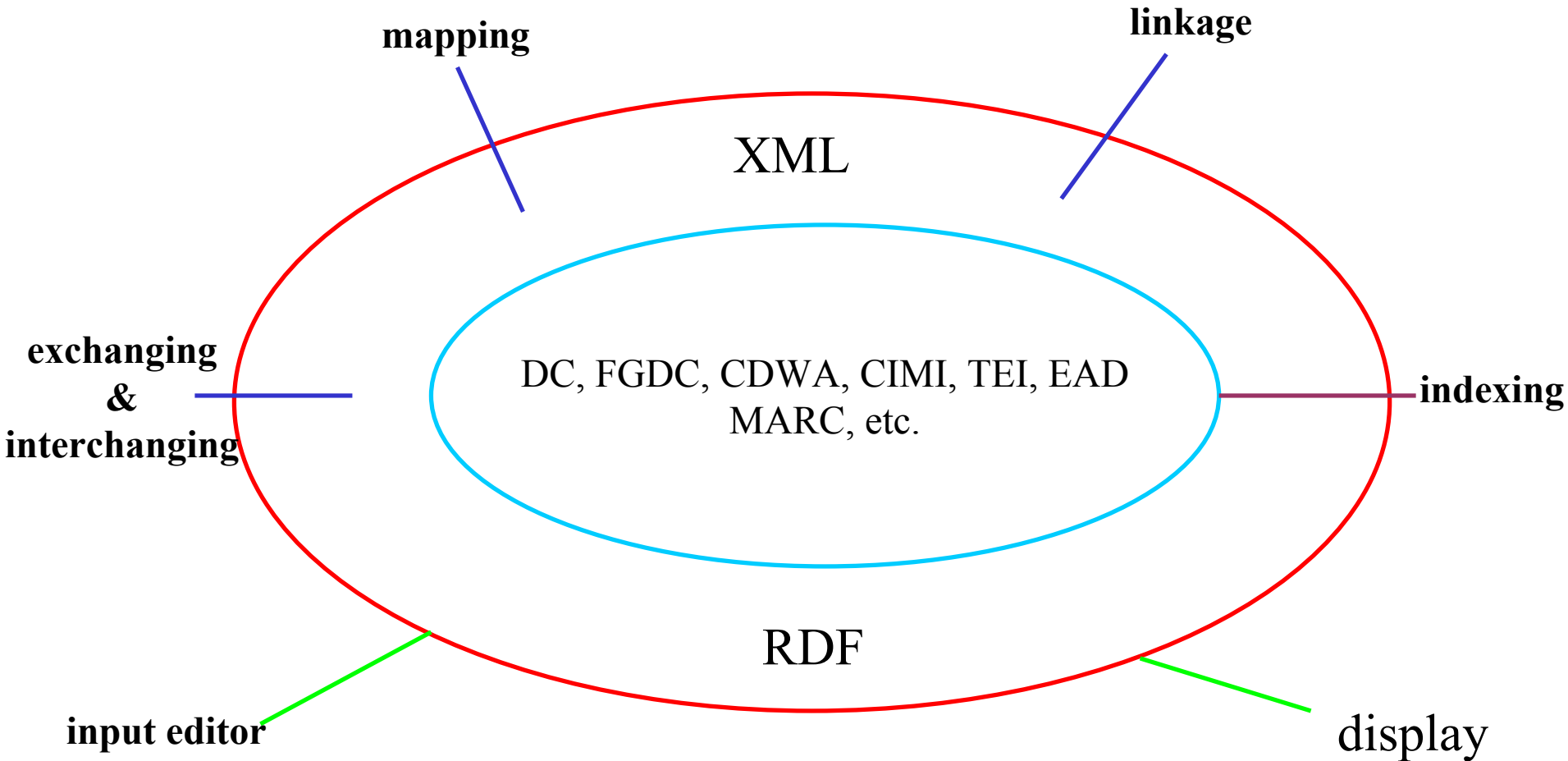
# **Establishment of metadata system**

- **Developing the metadata guideline and practice.**
- **Discussing about the requirements for indexing, representation, and archive.**
- **Designing the metadata system based on the fully support from IT staff.**

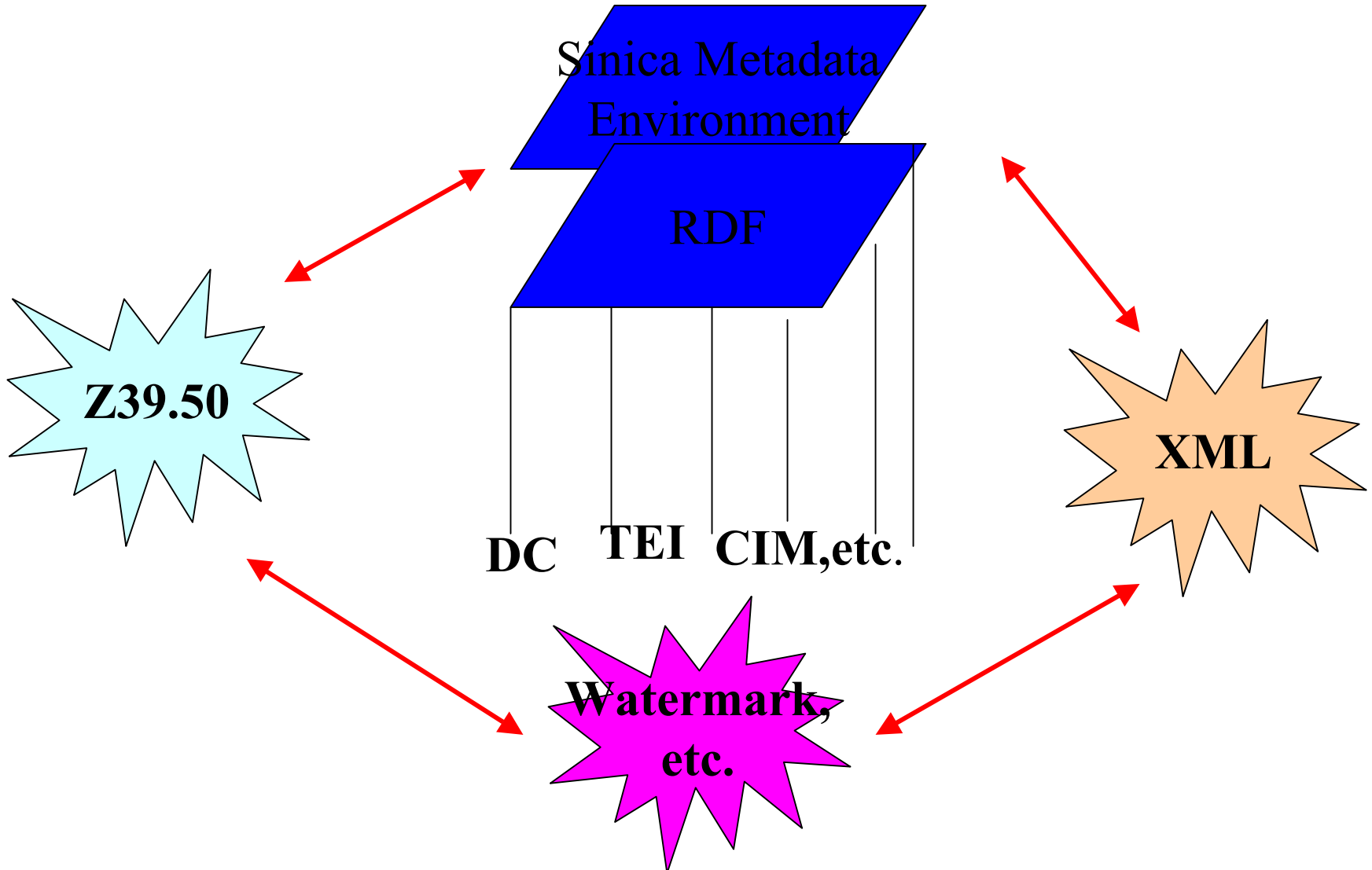
# Metadata Types



# Metadata Framework



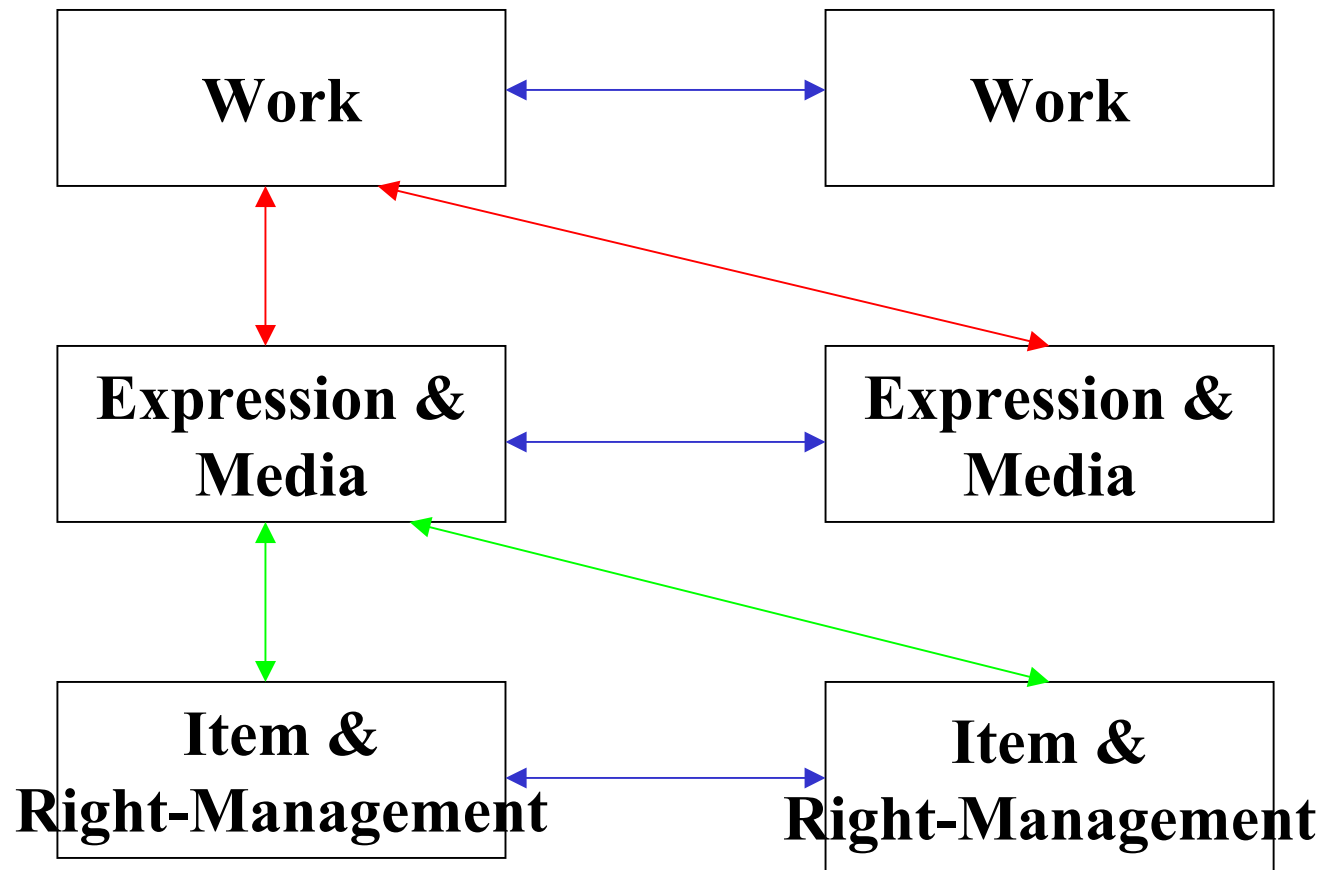
# Metadata Environment





# Metadata Layers and Linkages

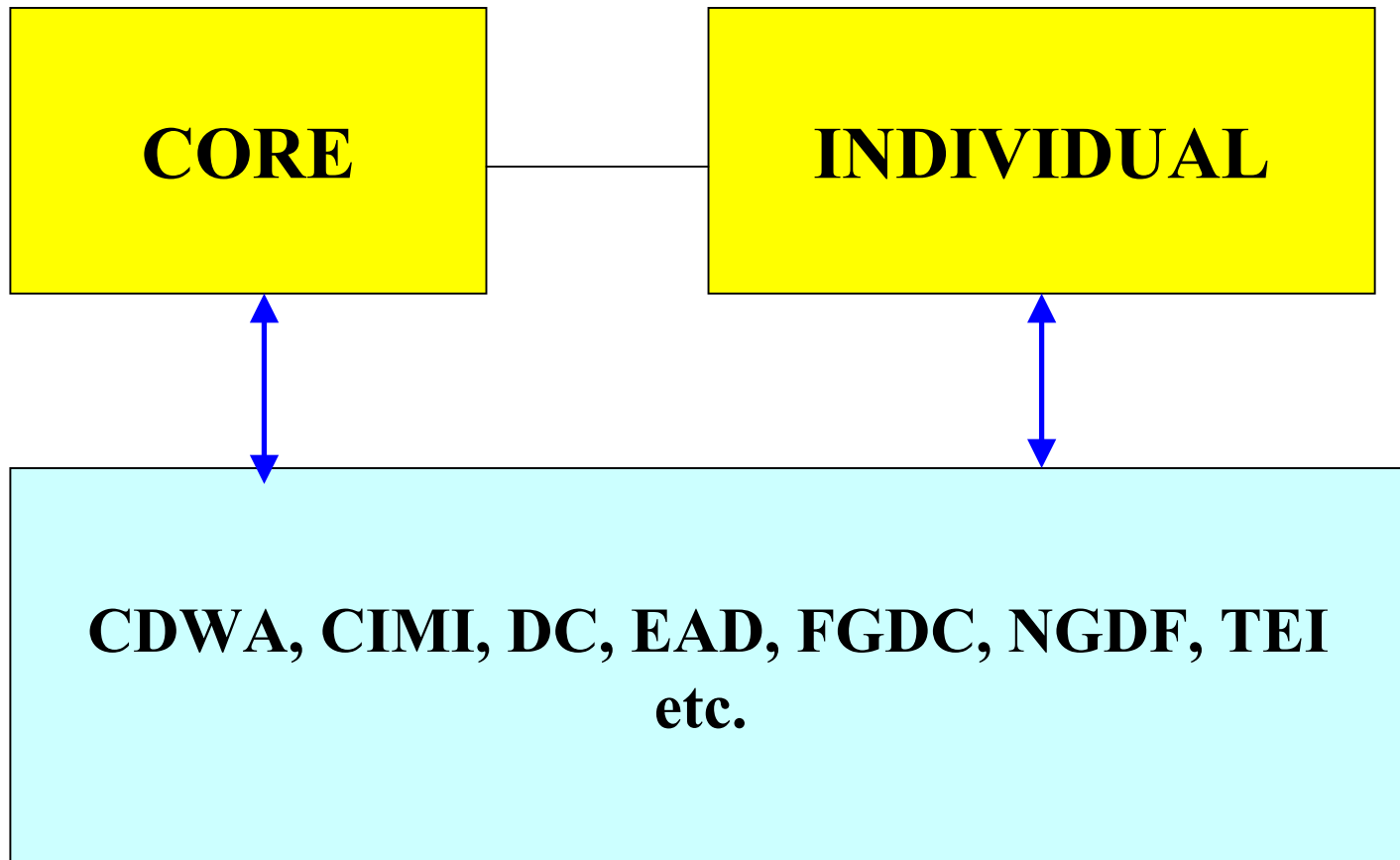
## Object



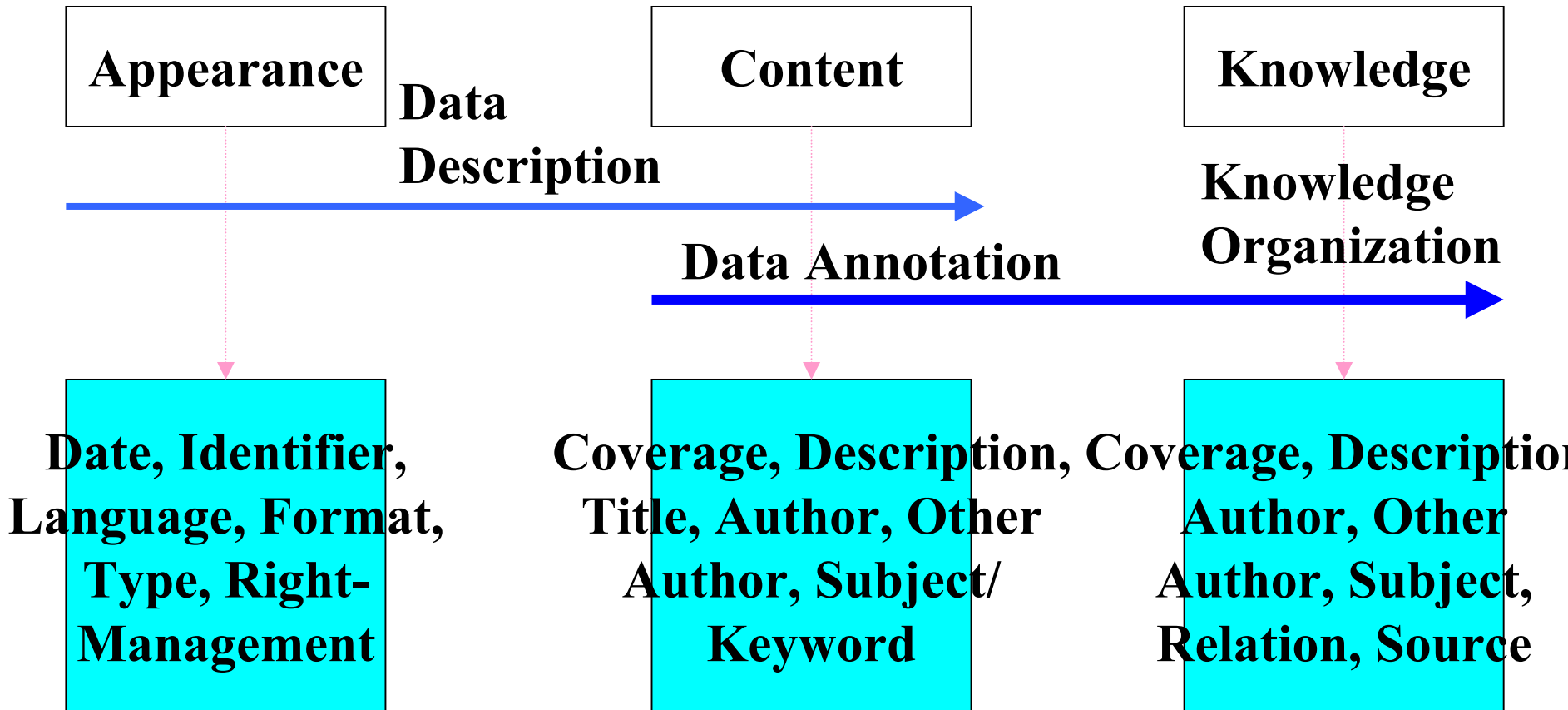
# Linkage Types

- **Part and whole relationship**
- **creative relationship**
- **version relationship**
- **format transformation relationship**
- **reference relationship**
- **dependent relationship**
- **sequential relationship**
- **hierarchical relationship**
- **shared characteristic relationship**

# Metadata Record Structure



# Metadata Element Group/Level



# Current Status

- **Develop Spatial, Time and Event Metadata.**
- **Inclusion of GIS Application.**
- **Inclusion of Archival material/Full text.**
- **Integration with the XML/RDF and Z39.50.**
- **Completion of linking relationship for the person, object, time, space and event.**