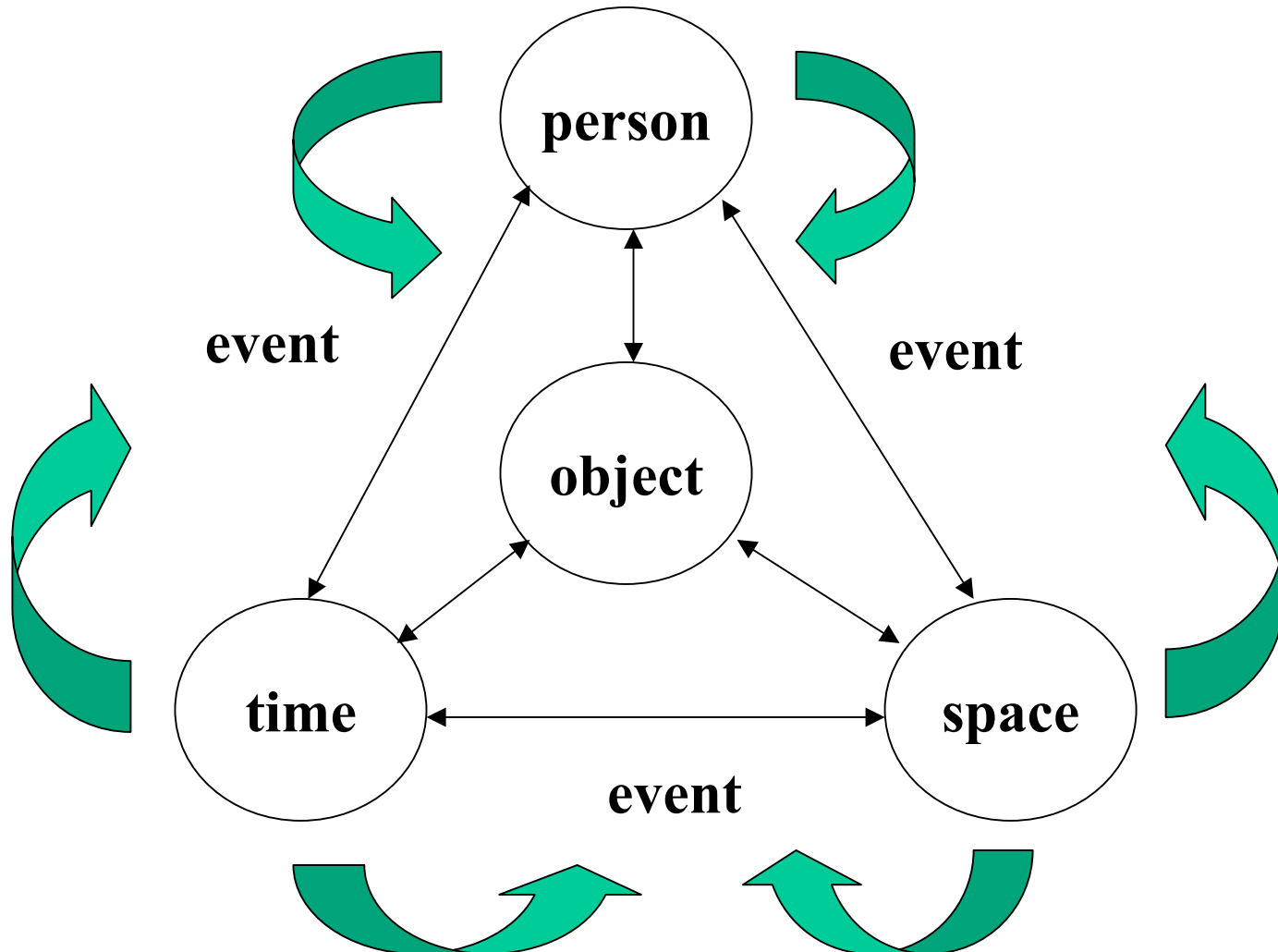


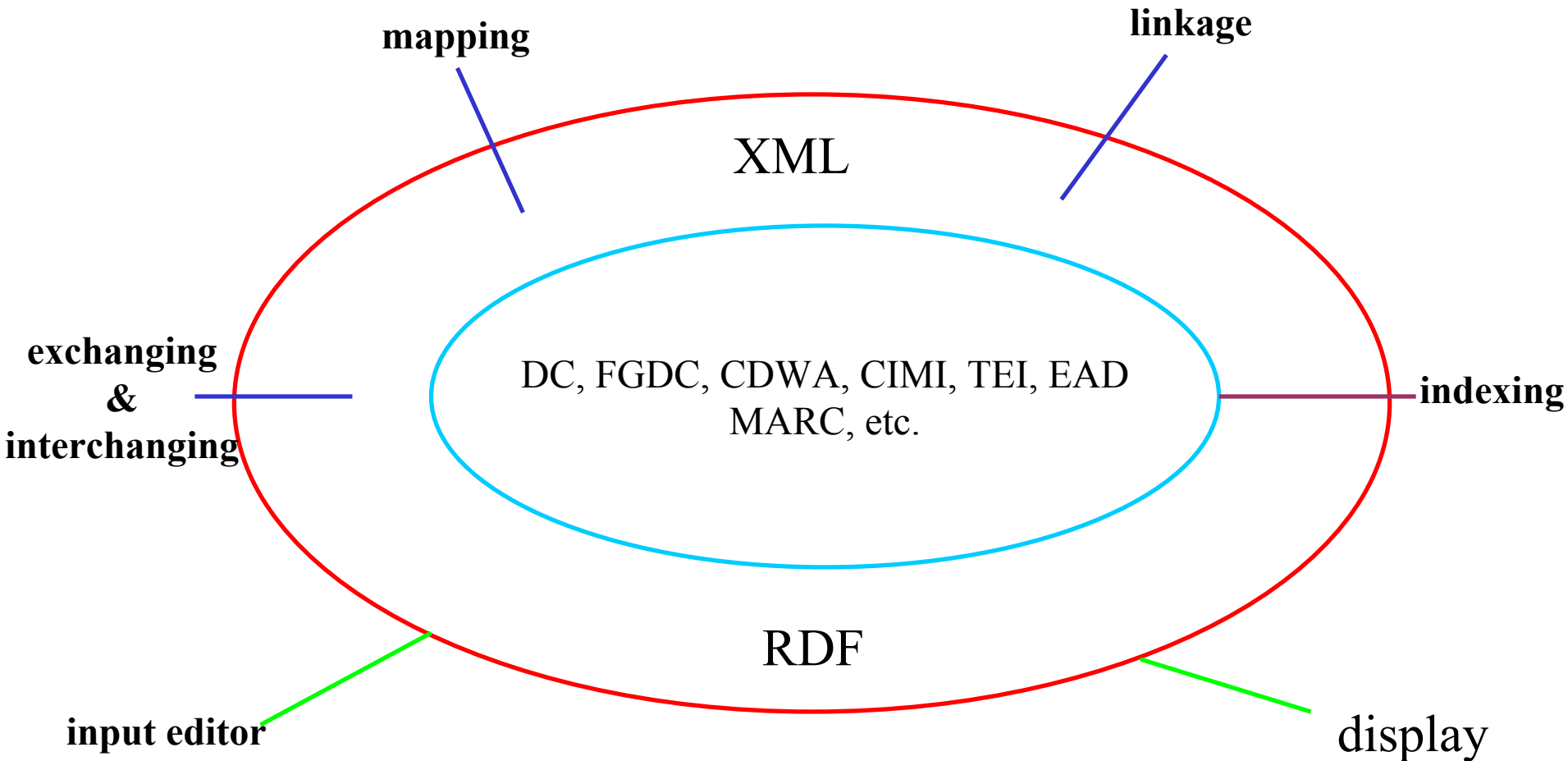
Metadata Practice for the Digital Library

Arthur Chen
Computing Centre
Academia Sinica

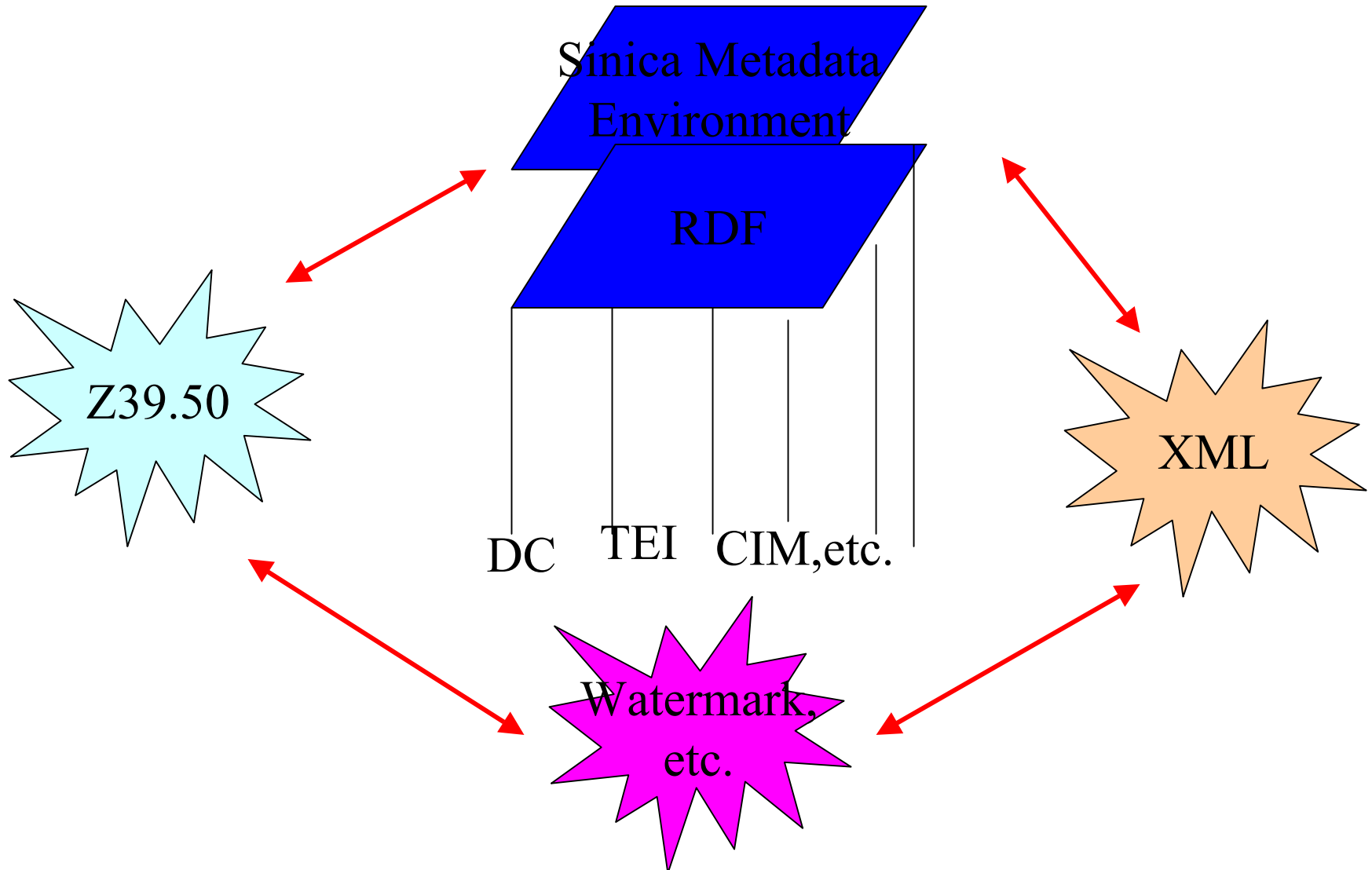
Metadata Types



Metadata Framework

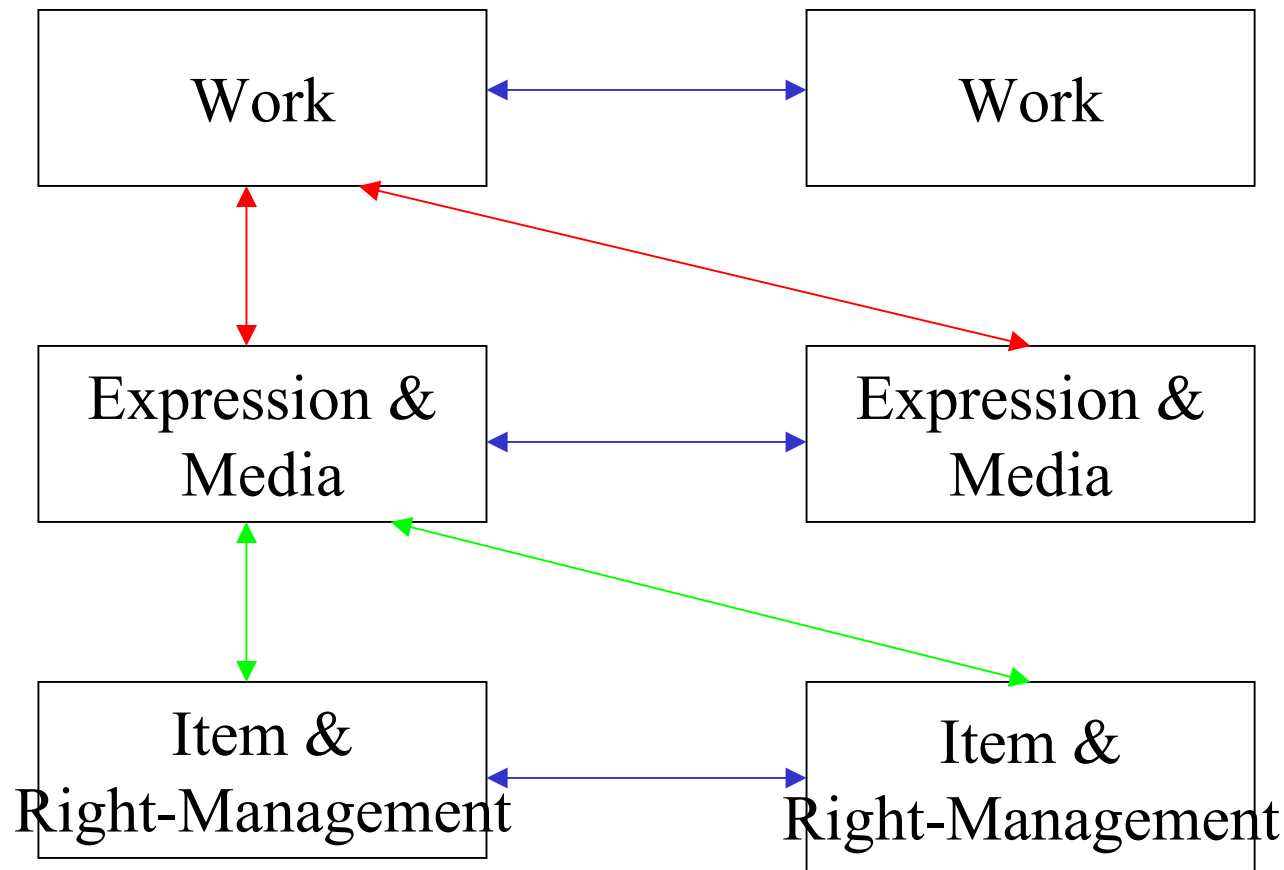


Metadata Environment

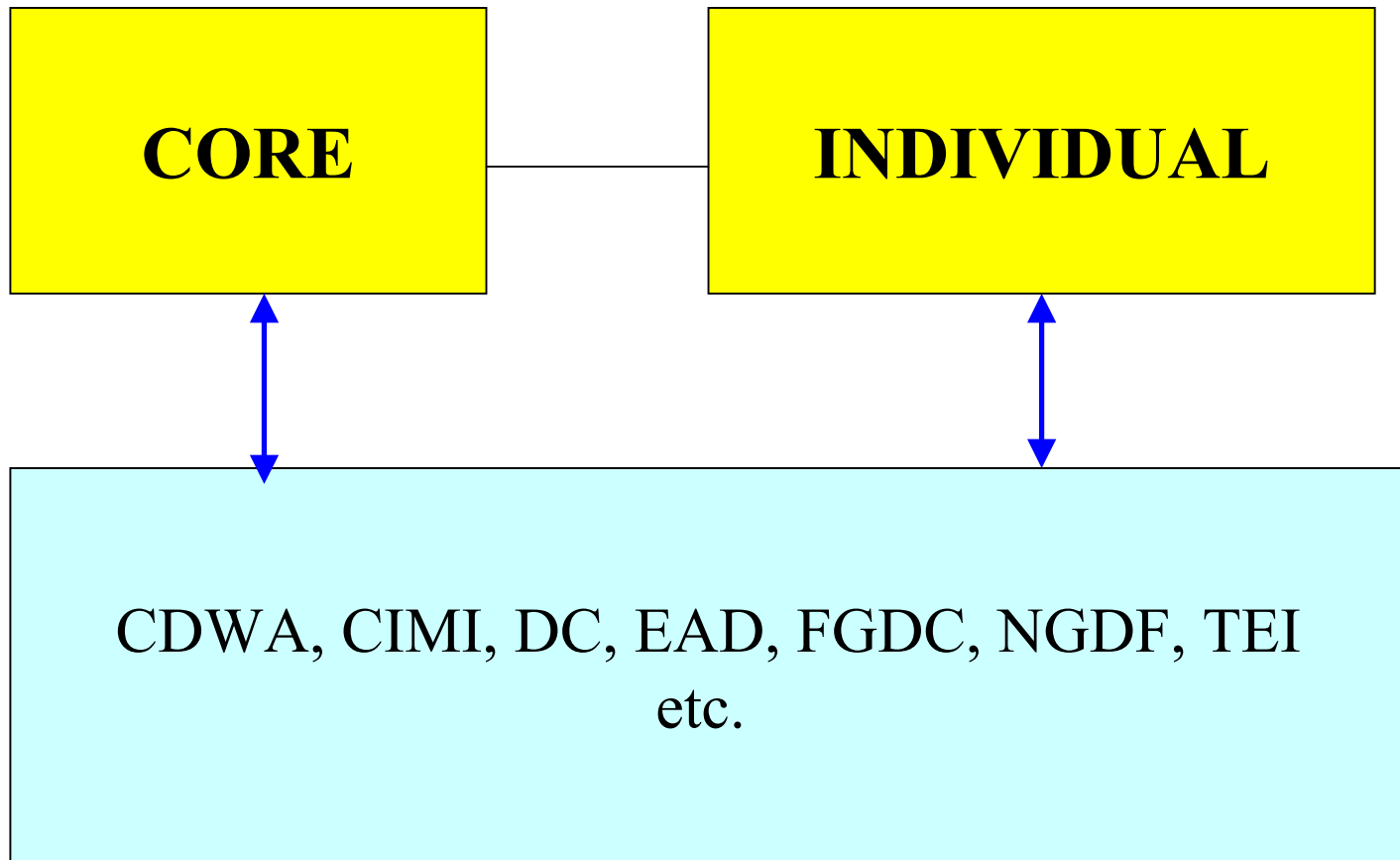


Metadata Layers and Linkages

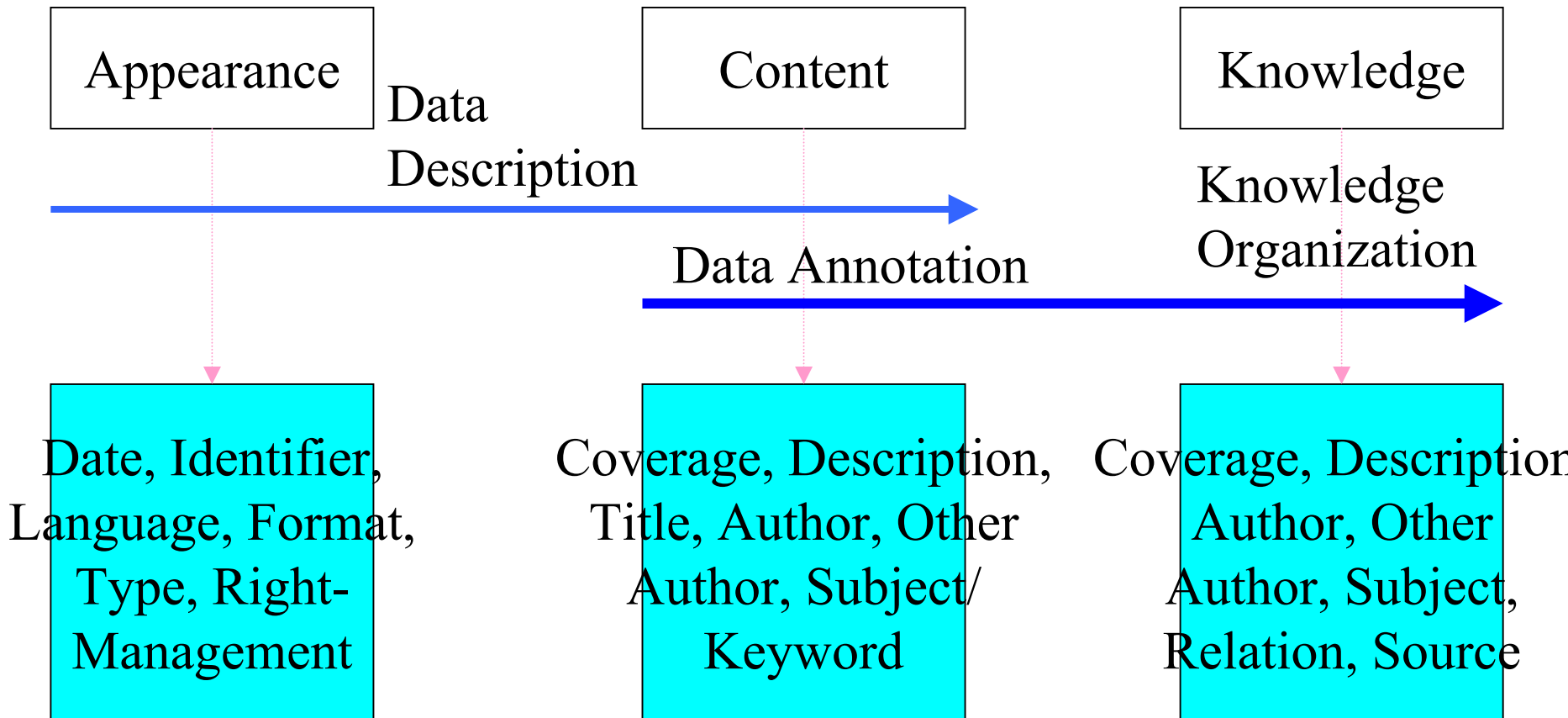
Object



Metadata Record Structure



Metadata Element Group/Level



Next Step

- Develop Spatial, Time and Event Metadata
- Inclusion of GIS Application
- Integration with the XML and Z39.50
- Completion of linking relationship for the person, object, time, space and event.